

SL

A50

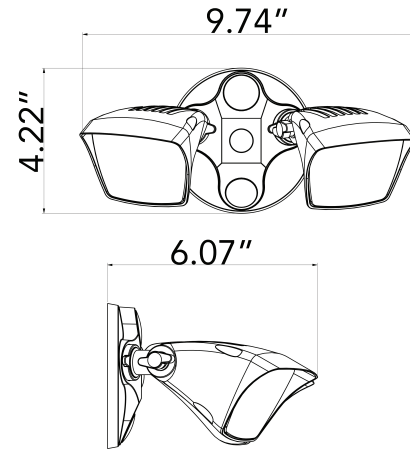


TECHNICAL SPECIFICATIONS:

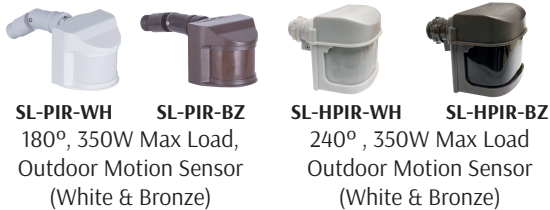
- :: Fits on a 4" weatherproof box, flush mounts on wall over a junction box or plaster ring, or over a 3" pancake box
- :: Housing: Die-cast aluminum with powder coat finish
- :: Cover type: clear lens
- :: CRI: 80
- :: Operating Temp: -4°F to 104°F
- :: Power factor: .90~.97
- :: Light beam angle: 100°
- :: Voltage: 120V AC 50/60Hz
- :: Suitable for Wet Locations, IP65
- :: 7-year warranty

APPLICATIONS:

- :: Ideal for doorway, pathway and alleys
- :: Great for use with optional motion sensors or photocell



MOTION SENSORS



SL-PIR-WH 180°, 350W Max Load, Outdoor Motion Sensor (White & Bronze)

SL-PIR-BZ 180°, 350W Max Load, Outdoor Motion Sensor (White & Bronze)

SL-HPIR-WH 240°, 350W Max Load, Outdoor Motion Sensor (White & Bronze)

SL-HPIR-BZ 240°, 350W Max Load, Outdoor Motion Sensor (White & Bronze)



SL-PC UL-listed mini photocell for SL series security lights only

LED SECURITY HEADS WITH OPTIONAL MOTION SENSOR OR PHOTOCELL

CATALOG NO.		WATTS	LUMENS	COLOR TEMP	REPLACEMENT RANGE
BRONZE	WHITE				
SL-20W-50K-BZ	SL-20W-50K-WH	20W	2000LM	5000K	70~100 MH
SL-20W-30K-BZ	SL-20W-30K-WH	20W	2000LM	3000K	70~100 MH
SL-PIR-BZ	120V AC, 180°, 350W Max Load, OUTDOOR MOTION SENSOR (WHITE or BRONZE)				
SL-PIR-WH					
SL-HPIR-BZ	120V AC, 240°, 350W Max Load, OUTDOOR MOTION SENSOR (WHITE or BRONZE)				
SL-HPIR-WH					
SL-PC	120V AC, Optional Photocell Component for the above series security lights, Incl. WH & BR trims to match security light color				